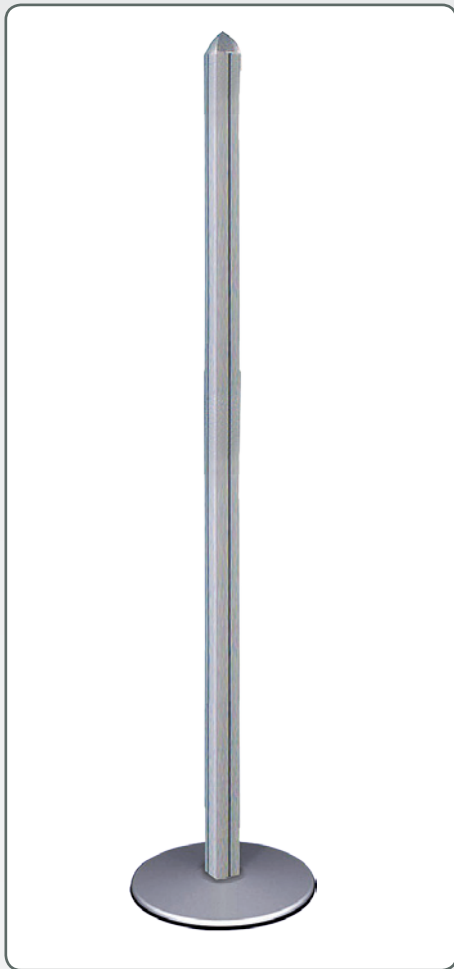


# 951 | Multi Stand Pole 4-channel



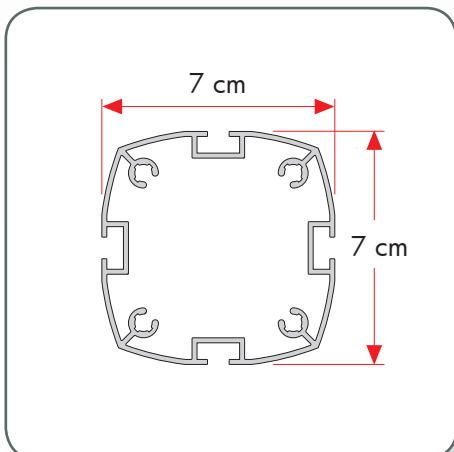
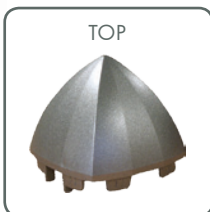
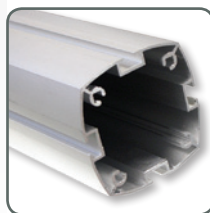
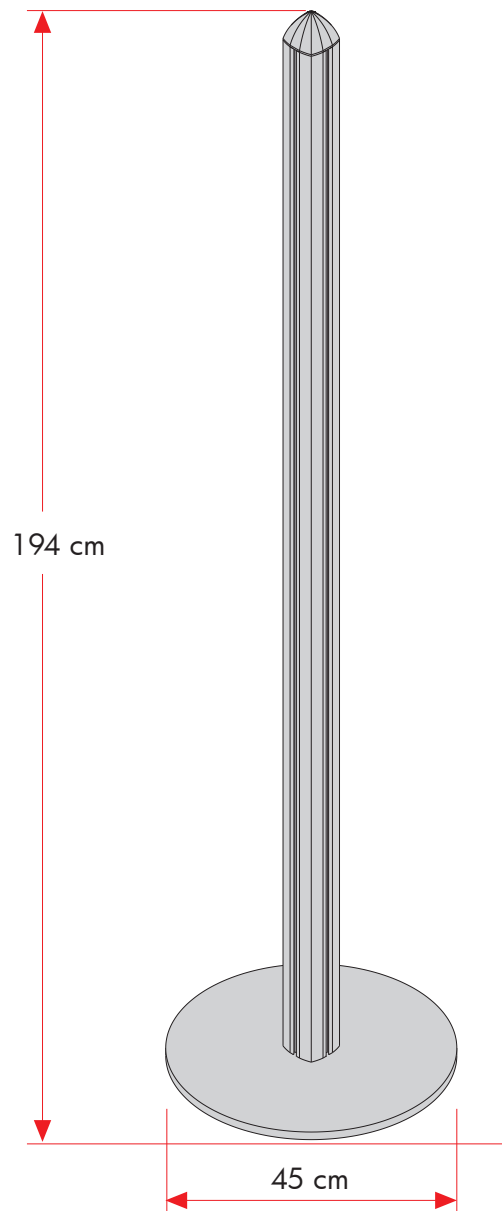
## TECHNICAL GUIDE



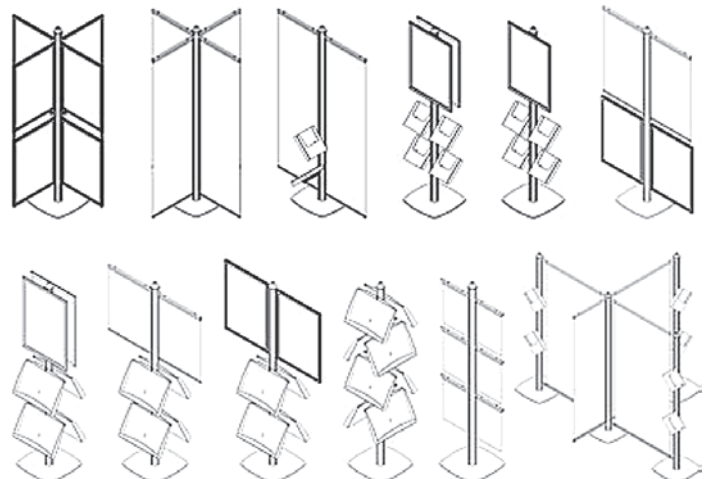
**GB** Multi Stand 4-channel. Anodized aluminium 4-channel stand 194 cm. Silver lacquered steel foot, Ø 45 cm.

**DE** Multi Stand 4-channel. Eloxiertes Aluminium 4-channel Ständer 194 cm. Silberlackierter Stahlfuß, Ø 45 cm.

**DK** Multi Stand 4-channel. Eloxeret alu-stander 194 cm med 4 kanaler. Sølvlakeret stålfod, Ø 45 cm.



USE Multi Stand 4-CHANNEL STAND IN MANY DIFFERENT WAYS ...



Model	Art.no.	Pole	Colour	Total W x H x D	Package Size	- weight	Pallet size	- quantity
951	2900	185 cm 4-channel	Alu	45 x 194 x 45 cm		13 kg	80 x 120 x 220 cm	40 pcs.